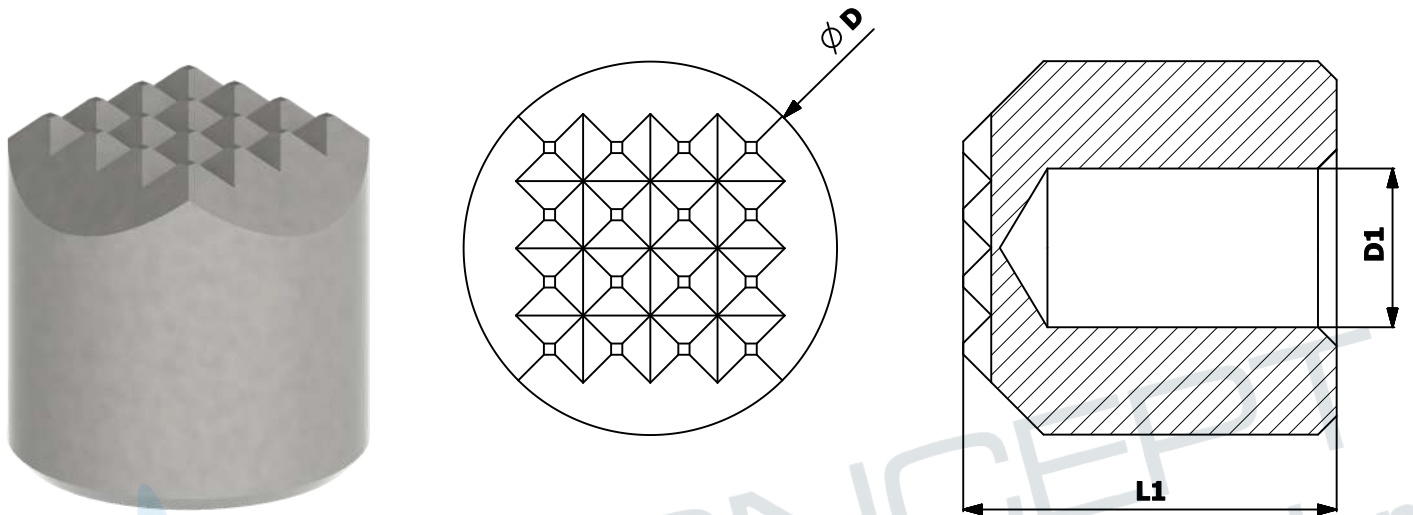
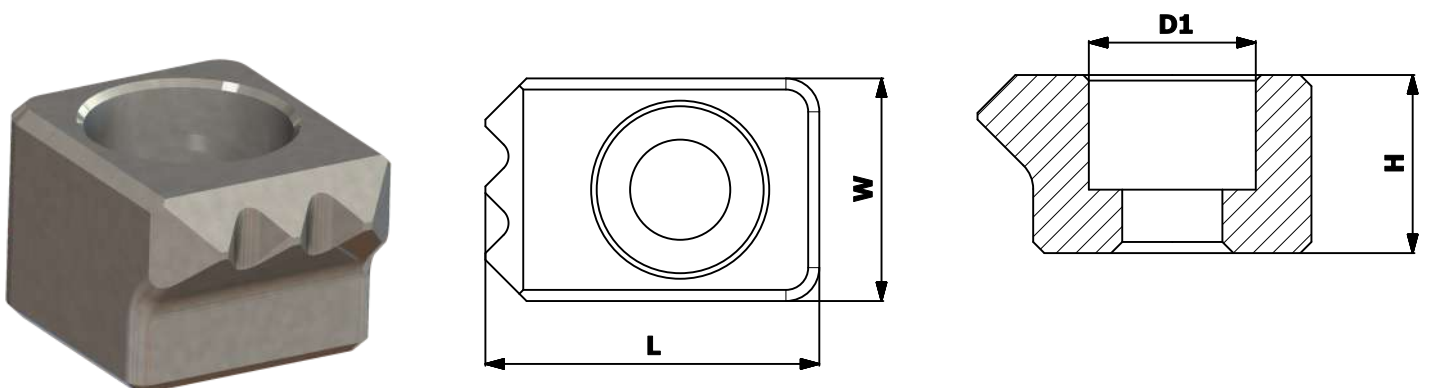




ROUND CLAMPING BITE



SQUARE CLAMPING BITE





ROUND CLAMPING BITE	CODE	L1	D	D1
	C-1009-0815	15.00	8.00	M5 X 0.75
	C-1009-1020	20.00	10.00	M5 X 0.75
	C-1009-1215	15.00	12.00	M5 X 0.75
	C-1009-1220	20.00	12.00	M5 X 0.75
	C-1009-1615	15.00	16.00	M8 X 1.25
	C-1009-1620	20.00	16.00	M8 X 1.25
	C-1009-2015	15.00	20.00	M10 X 1.5
	C-1009-2020	20.00	20.00	M10 X 1.5

SQUARE CLAMPING BITE	CODE	L	W	H	D1
	C-1010-0415	15.00	12.00	10.00	M4
	C-1010-0420	20.00	12.00	10.00	M4
	C-1010-0520	20.00	14.00	12.00	M5
	C-1010-0525	25.00	14.00	12.00	M5
	C-1010-0620	20.00	16.00	12.00	M6
	C-1010-0625	25.00	16.00	12.00	M6
	C-1010-0825	25.00	20.00	16.00	M8
	C-1010-0830	30.00	20.00	16.00	M8



Contact us

Concept Engineering Solution

Survey No. 40/1, B/h. Skoda Showroom,
Rajkot - Gondal National Highway,
Village : Kangashiyali, Rajkot - 360 022, Gujarat (INDIA)
E-mail : Info@conceptfixture.com
Web. : www.conceptfixture.com

CUSTOMER SUPPORT - Mr. Kumar Zala +91 85111 05838
TECHNICAL SUPPORT - Mr. Sanjay Zala +91 96620 99442
CUSTOMER SERVICE - Mr. Rahul Zala +91 96240 88365

