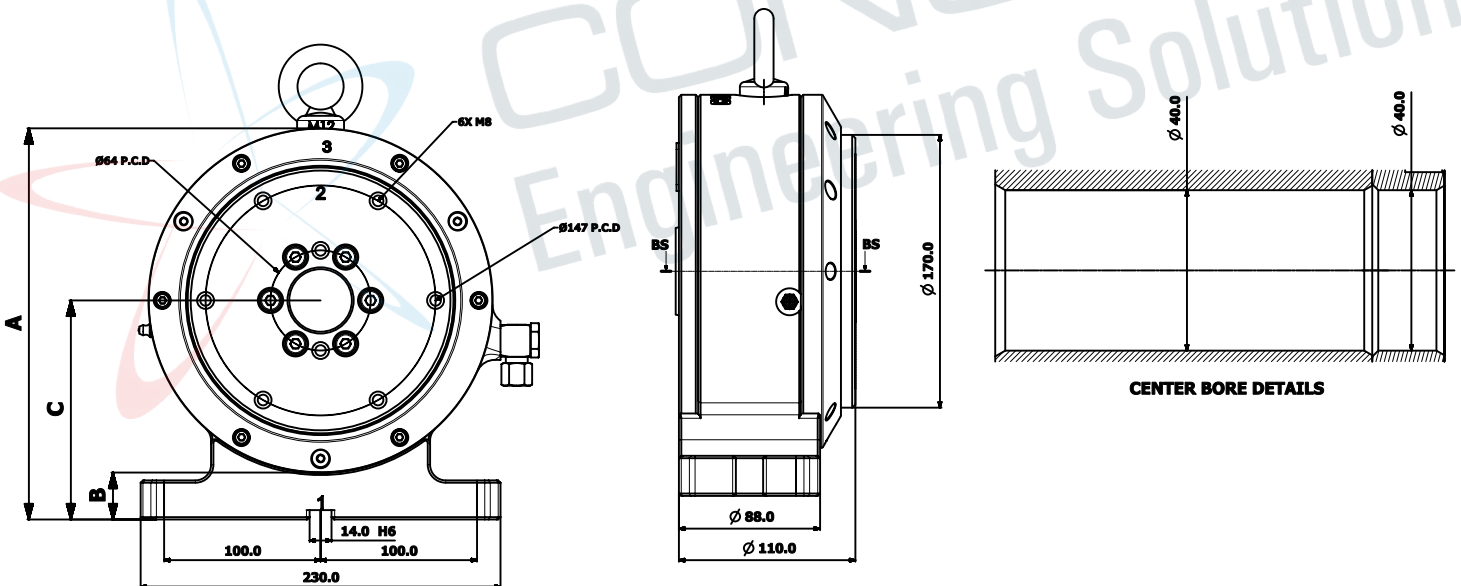




CFT 140 / 160



MODEL NUMER	A (mm)	B (mm)	C (mm)	CLAMP TORQUE		NET WEIGHT (KG) (APPROX)
				PNEU @ 5 bar	HYD @30 bar	
CFT-140	250	0	140	200Nm	500Nm	31
CFT-160	270	20	160	200Nm	500Nm	33



Contact us

Concept Engineering Solution

Survey No. 40/1, B/h. Skoda Showroom,
Rajkot - Gondal National Highway,
Village : Kangashiyali, Rajkot - 360 022, Gujarat (INDIA)
E-mail : Info@conceptfixture.com
Web. : www.conceptfixture.com

CUSTOMER SUPPORT - Mr. Kumar Zala +91 85111 05838

TECHNICAL SUPPORT - Mr. Sanjay Zala +91 96620 99442

CUSTOMER SERVICE - Mr. Rahul Zala +91 96240 88365

