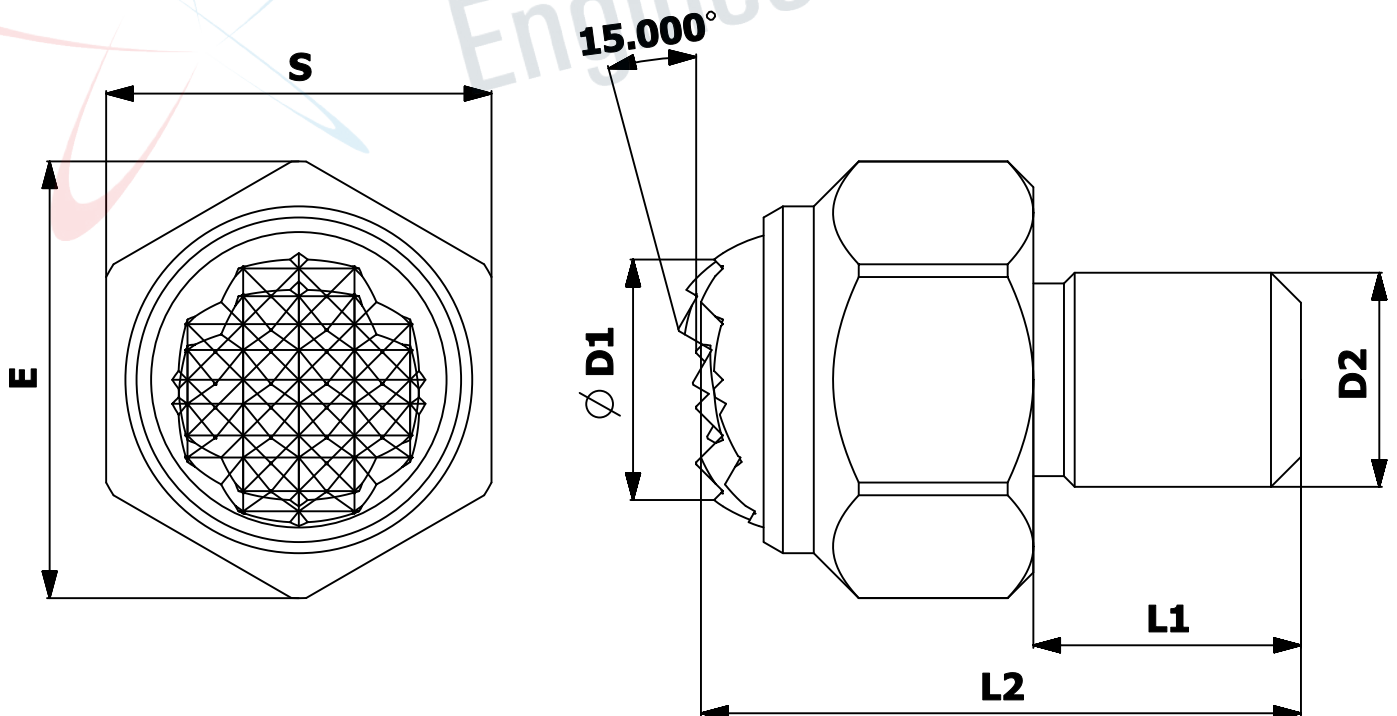




**MALE
SERRATED PAD**



**MALE
FLAT PAD**





CONCEPT
Engineering Solution

SELF ALIGNING PAD

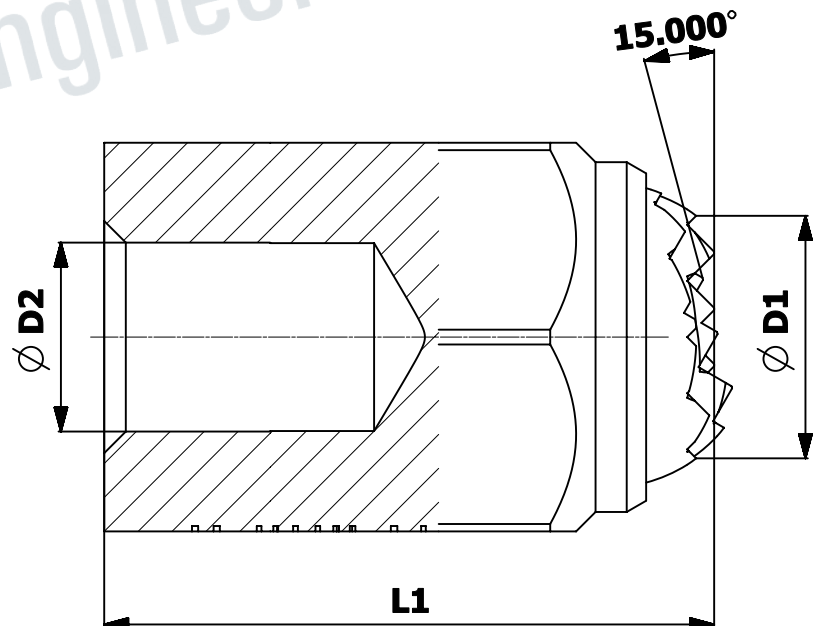
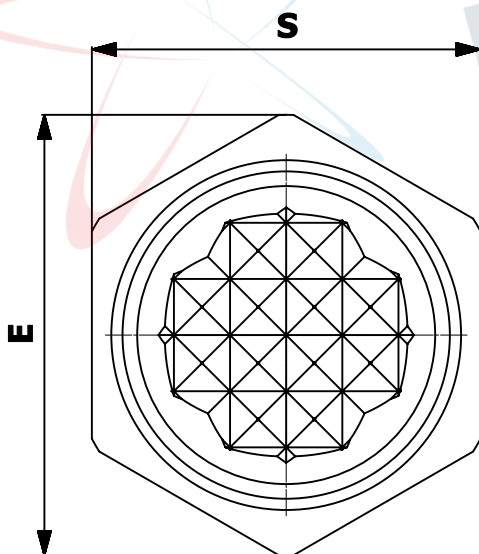
FEMALE SERRATED PAD



FEMALE FLAT PAD



CONCEPT
Engineering Solution





MALE SERRATED	CODE	S	E	L1	L2	D1	D2
	C-1018-1108	20.00	22.00	10.00	27.50	11.50	M8
	C-1018-1110	24.00	27.00	12.50	34.00	15.00	M10
	C-1018-1112	24.00	27.00	15.00	37.00	15.00	M12
	C-1018-1116	30.00	34.00	20.00	46.25	19.00	M16
	C-1018-1120	36.00	41.00	25.00	56.50	23.00	M20

FEMALE SERRATED	CODE	S	E	L1	L2	D1	D2
	C-1018-2108	20.00	22.00	27.50	-	11.50	M8
	C-1018-2110	24.00	27.00	34.00	-	15.00	M10
	C-1018-2112	24.00	27.00	34.00	-	15.00	M12
	C-1018-2116	30.00	34.00	46.00	-	19.00	M16
	C-1018-2120	36.00	41.00	56.50	-	23.00	M20

MALE FLAT	CODE	S	E	L1	L2	D1	D2
	C-1018-1208	20.00	22.00	10.00	27.50	11.50	M8
	C-1018-1210	24.00	27.00	12.50	34.00	15.00	M10
	C-1018-1212	24.00	27.00	15.00	37.00	15.00	M12
	C-1018-1216	30.00	34.00	20.00	46.25	19.00	M16
	C-1018-1220	36.00	41.00	25.00	56.50	23.00	M20

FEMALE FLAT	CODE	S	E	L1	L2	D1	D2
	C-1018-2208	20.00	22.00	27.50	-	11.50	M8
	C-1018-2210	24.00	27.00	34.00	-	15.00	M10
	C-1018-2212	24.00	27.00	34.00	-	15.00	M12
	C-1018-2216	30.00	34.00	46.00	-	19.00	M16
	C-1018-2220	36.00	41.00	56.50	-	23.00	M20



Contact us

Concept Engineering Solution

Survey No. 40/1, B/h. Skoda Showroom,
Rajkot - Gondal National Highway,
Village : Kangashiyali, Rajkot - 360 022, Gujarat (INDIA)
E-mail : Info@conceptfixture.com
Web. : www.conceptfixture.com

CUSTOMER SUPPORT - Mr. Kumar Zala +91 85111 05838

TECHNICAL SUPPORT - Mr. Sanjay Zala +91 96620 99442

CUSTOMER SERVICE - Mr. Rahul Zala +91 96240 88365

